

# *Universal DR<sub>ds</sub>*<sup>TM</sup>

Digital High Frequency Veterinary System



A high resolution direct radiography system with a 13 megapixel CCD sensor and 400mA HF generator. Featuring 2 terabyte redundant hard drives with a storage capacity of over 50,000 images. Preview your image in only 3 seconds with full diagnostic display in an additional 15 seconds. Available with a stationary, two or four-way float top table for optimal patient positioning.



powered by  
**Simon<sub>dr</sub>**  
HEALTHCARE

***Universal***  
*Keeping Promises for Over Eighty Years.*



## Standard Features

### Universal DRds Table With Integrated Tubestand

- Integrated tubestand travels length of table
- CCD Camera travels length of table base and interlocks with tubestand
- X-ray tube is fixed at 40° SID, tube angles
- 200,000 heat unit x-ray tube 0.6-1.5mm focal spots with 90 degree horn angle
- Electric locks (for 2-way and 4-way table top movement)
- Welded construction table with urine trap
- Foot activated exposure switch
- Rubberized keyboard
- Collimator with swivel mount, tape measure and spare bulb
- Pair 20' high voltage cables, federal terminations

## High Frequency Generator

### UCM32 - 400 mA, 32 kW HF Generator

- Anatomically Programmed
- 40 – 125 kVp, 0.1 to 500 mAs, 250 mAs @125 kVp output

## CCD System Specifications

- Simon DR CCD imaging module
- Image viewing area of 12" x 17"
- 13 mega pixel CCD sensor, 3.5 lp/mm
- WhiteCap image processing and display software
- Image preview in 3 seconds, diagnostic image in 18 seconds
- DICOM compliant with Animal Insides Validation "Pass with Support for Veterinary Attributes"
- Dual Xeon/Quad Core (8 processors)
- Storage capacity of over 50,000 images
- 2 terabyte redundant hard drives
- Internal CD/DVD-RW
- Windows Vista Business operating system
- 1500va battery back-up with \$200,000 insurance policy against hardware damage due to spikes, power interruption and lightning
- 2.3 megapixel high resolution 24" monitor, 1000:1 contrast ratio

## Table Options

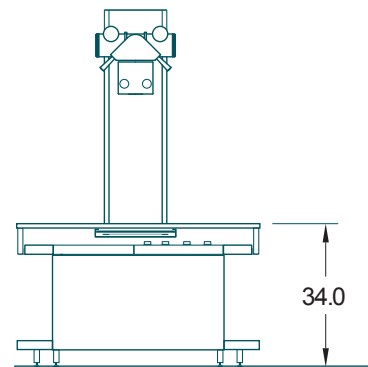
- Universal DRds Plus 4 - Same as Universal DRds but includes a four-way float top table. The 8" of cross and side-to-side table top travel will reduce the need to physically move the patient.
- Universal DRds Plus - Same as Universal DRds but includes a two-way float top table with 8" of cross table top travel.

## CCD Sensor Options

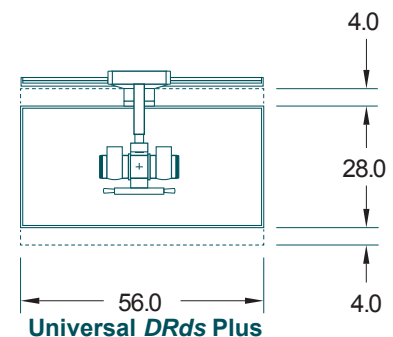
- Image viewing area of 14" x 17", 10 mega pixel CCD sensor, 3.0 lp/mm

## Manufacturer's Statement

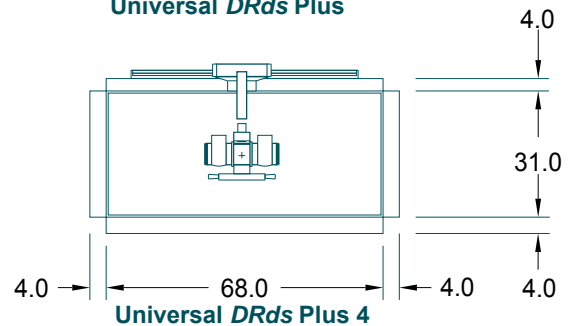
- Specifications are subject to change without notice.
- Made in U.S.A.
- UL Classified.
- Del Medical is an ISO13485 & ISO9001 Certified Facility.
- Simon DR is an ISO 9001:2000 Certified Facility.



All Universal DRds



Universal DRds Plus



Universal DRds Plus 4

# Universal

Keeping Promises for Over Eighty Years.

[www.delmedical.com](http://www.delmedical.com)

**Simon**  
*dr*